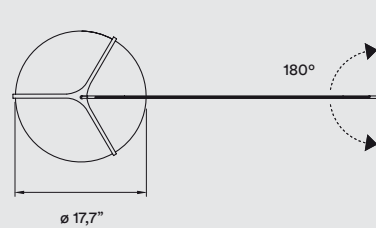
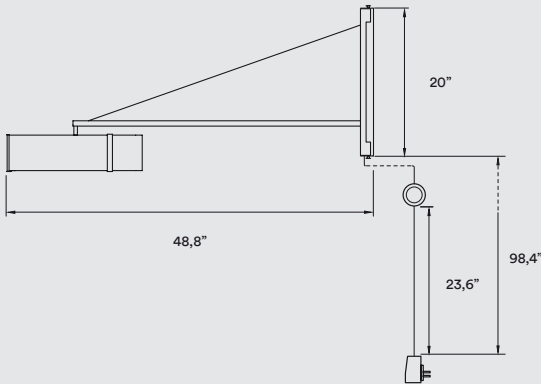


SWING MECHANISM



REF.

- THES A BK LED DIM UL
- THES A IV LED DIM UL
- THES A BN LED DIM UL
- THES A GD LED DIM UL
- THES A CO LED DIM UL

MATERIALS & COMPONENTS

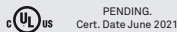
Wood Veneer Shade

Optional Acrylic Diffuser

Metal Tripod & Structure

Black Electrical cable with Dimming Switch: 98,4"

LIGHT SOURCE



120V Dimmable

Driver:

Constant Voltage 24V

LED Integrated:

Led module

2700K, CRI>90, 25W, 50-60Hz, 1040 lm*

4.000K, CRI>90, 25W, 50-60Hz, 1197 lm*

*Measurements obtained by theoretical calculations at LZf using ivory white shades. Veneer Ref: 20 Ivory White.

FINISHES

WOOD VENEER

- 20 Ivory White
- 21 Natural Cherry
- 22 Natural Beech
- 29 Grey

METAL

- IV-Matt Ivory
- BK-Matt Black
- *BN-Black Nickel
- *GD-Gold
- *CO-Copper

PACKAGING

Box Size: 47 x 26 x 9"

Box Volume: 6,2 ft³

Weight: Gross - 21,2 Lb | Net - 6,2 Lb