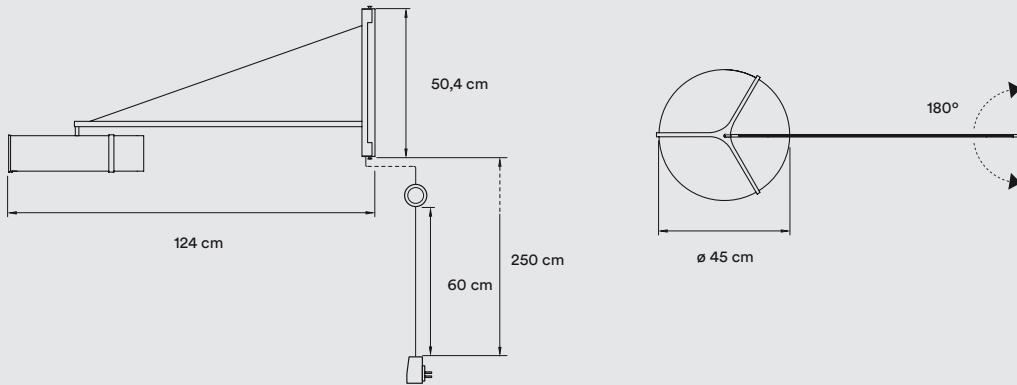


**SWING MECHANISM**



**REF.**

- THES A BK LED DIM
- THES A IV LED DIM
- THES A BN LED DIM
- THES A GD LED DIM
- THES A CO LED DIM

**LIGHT SOURCE**

Class II

230V Dimmable

**Driver:**

Constant Voltage 24V

**LED Integrated:**

Led module  
Energy class A<sup>+</sup>

3.000K, CRI90, 25W, 50-60Hz, 1084 lm\*  
Available in 2.700K and 4.000K on request

\*Measurements obtained by theoretical calculations at LZf.

**PACKAGING**

Box Size: 119 × 67 × 22 cm

Box Volume: 0,18 m<sup>3</sup>

Weight: Gross - 9,6 Kg | Net - 2,8 Kg

**MATERIALS & COMPONENTS**

Wood Veneer Shade

Optional Acrylic Diffuser

Metal Tripod & Structure

Black Electrical cable with Dimming Switch: 250 cm

**FINISHES**

**WOOD VENEER**

- 20 Ivory White
- 22 Natural Beech
- 21 Natural Cherry
- 29 Grey

**METAL**

- IV-Matt Ivory
- \*BN-Black Nickel
- BK-Matt Black
- \*GD-Gold
- \*CO-Cooper

\*On Request